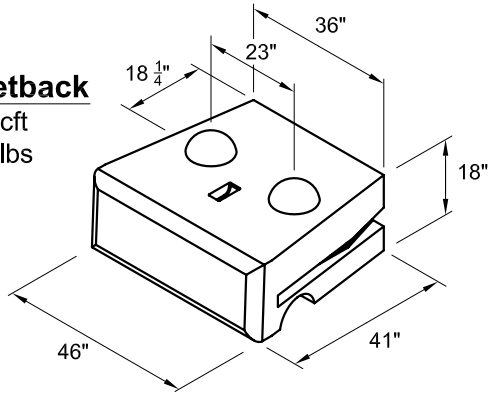


9" Setback Blocks

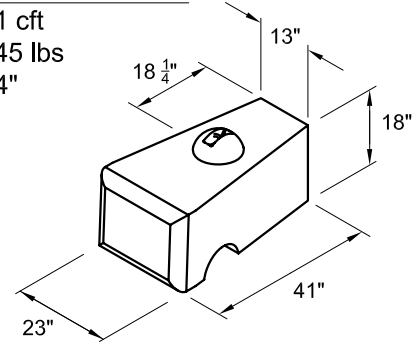
Middle - 9" Setback

Volume = 16.47 cft
 Weight = ±2355 lbs
 C of G = 20.80"



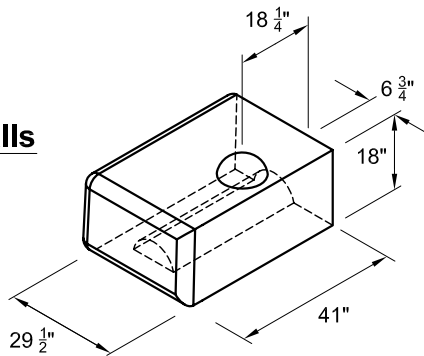
Half Middle - 9" Setback

Volume = 7.31 cft
 Weight = ±1045 lbs
 C of G = 21.94"



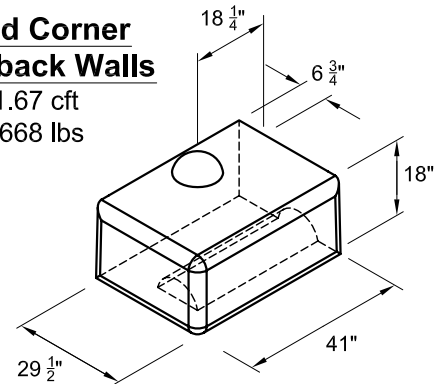
Left Hand Corner for 9" Setback Walls

Volume = 11.67 cft
 Weight = ±1668 lbs



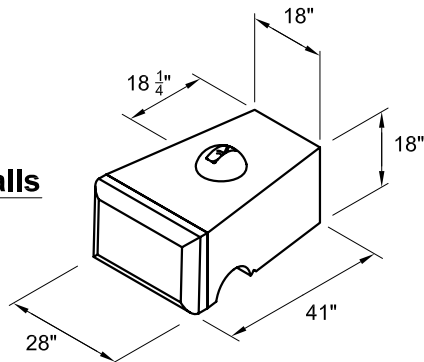
Right Hand Corner for 9" Setback Walls

Volume = 11.67 cft
 Weight = ±1668 lbs



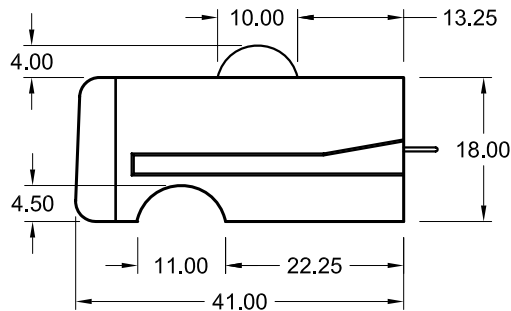
(Specialty Block) 28" Wide Middle for 9" Setback Walls

Volume = 9.32 cft
 Weight = ±1332 lbs
 C of G = 21.49"



NOTE:
 SEE 41" SERIES FOR SPECIALTY
 BLOCKS AND STEPS USED WITH THE
 9" SETBACK BLOCK

(THIS SPECIALTY BLOCK MAY HAVE LIMITED AVAILABILITY AND IS ONLY USED IN DOUBLE 90° CORNER APPLICATIONS)



9" Setback Block

NOTES:

Volume and Center of Gravity (C of G) calculations are based on the blocks as shown.

Center of Gravity is measured from the back of the block.

Half blocks include a fork lift slot on one side.

Actual weights and volumes will may vary.

Weight shown is based on 143 pcf concrete.

DRAWN BY J. JOHNSON	02/07/07	Redi-Rock® International, LLC	
CHECKED BY			
APPROVED BY		DRAWING FILE 9in Setback Block Details.dwg	REVISION ---
ISSUE DATE		SCALE NO SCALE	SHEET NO. 1 OF 1